

BAGNODESIGN

EXPERTLY CRAFTED BATHROOMS

Installation Guide



SESTRIERE DECKMOUNTED 3 HOLE BASIN MIXER

A member of SANIPEXGROUP

Please leave these instructions with the customer

TECHNICAL SPECIFICATIONS

Minimum hydraulic pressure: **0,5 bar** Maximum hydraulic pressure: **10 bar** Recommended working pressure: **from 1 to 5 bar**

Tested pressure: **16 bar**

Temperature of inlet hot water: **80°C** Suggested temperature (Energy sa-ving): **60°C**

Functioning automatic diverter:
≥ 0,5 bar (dynamic pressure)

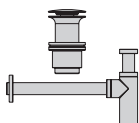
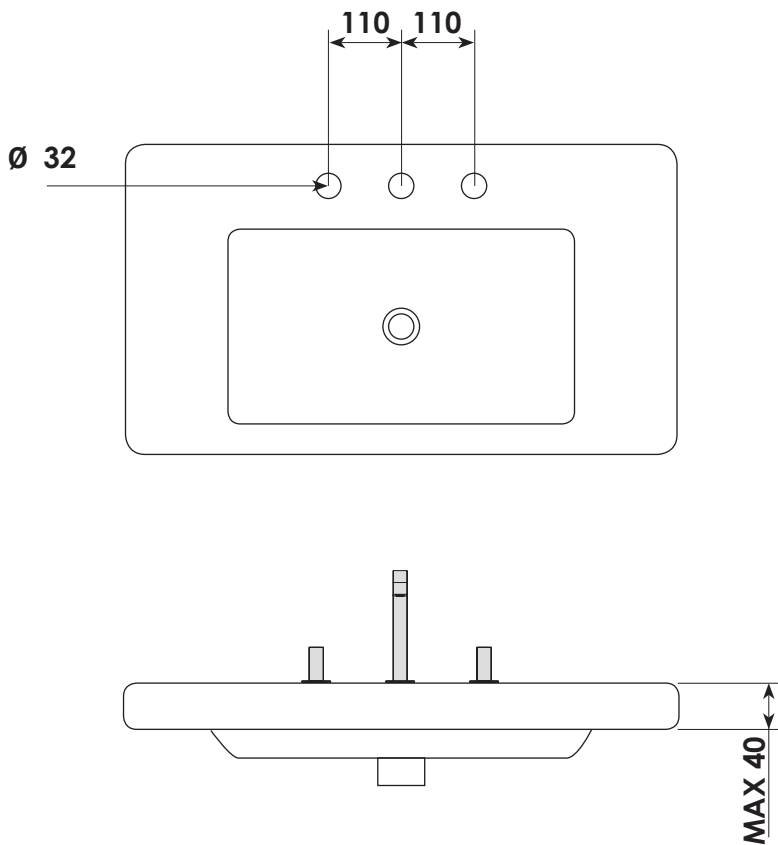
It is very important that hot and cold water temperature will be balanced as much as possible to grant the optimum performance of the single-lever mixer.

If pressure is higher than 5 bar it is advi-sable to install a water pressure reducer. The employ of these mixers with low pressure hot water accumulators is not suitable.

**IT IS COMPULSORY TO CREATE AN INSPECTION AREA
FOR ANY FUTURE MAINTENANCE OF THE MIXER.**

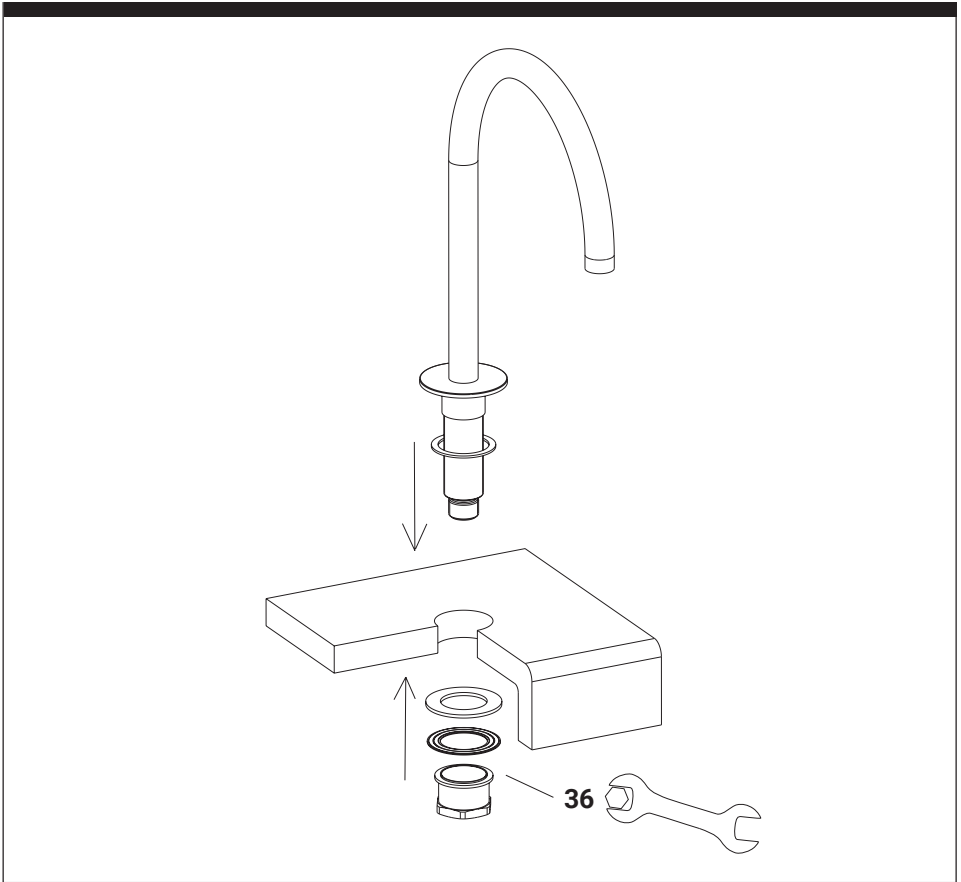
DRILLING SCHEME FOR 3 HOLE BATTERIES

SUGGESTED SIZES



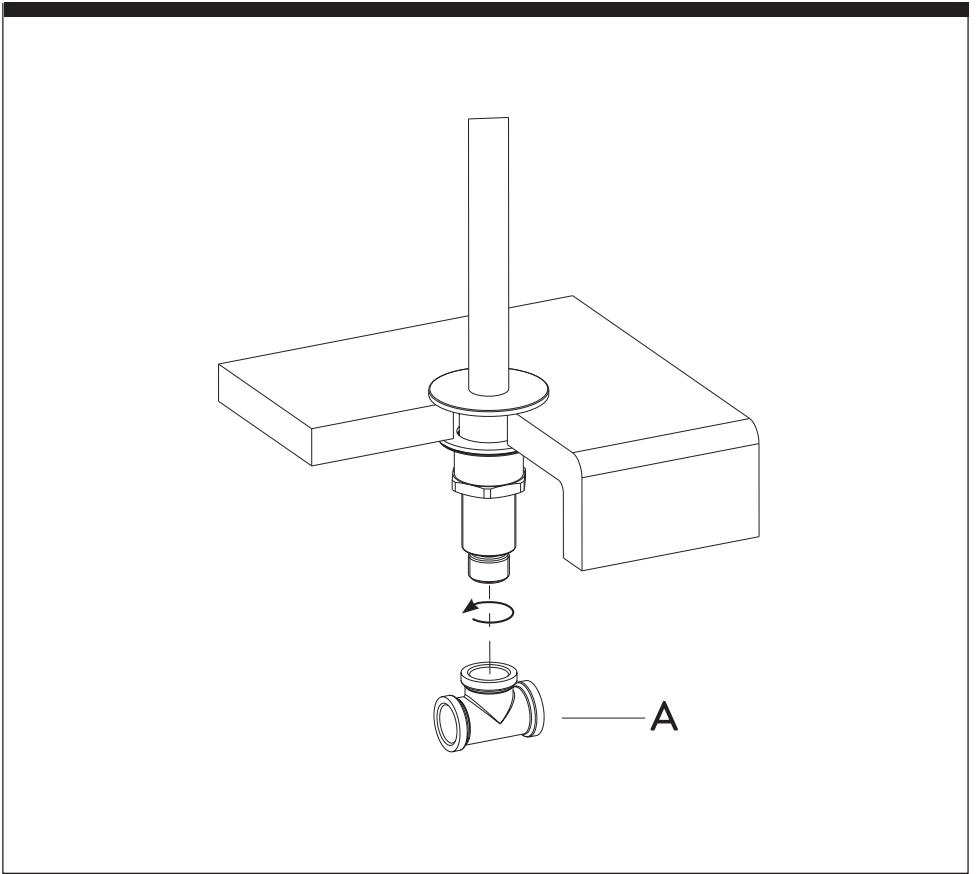
to match with push drain and siphon art.92672

INSTALLATION



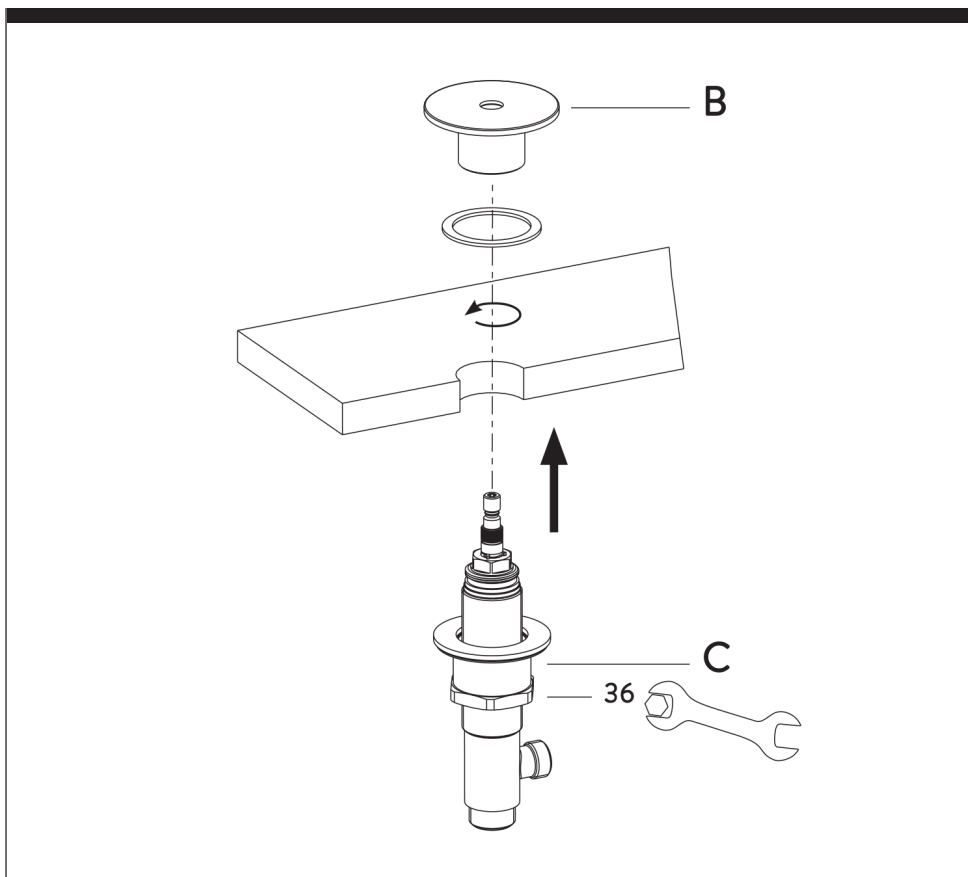
Fit the spout fixing the set with the lower fixing nut and gaskets.

INSTALLATION



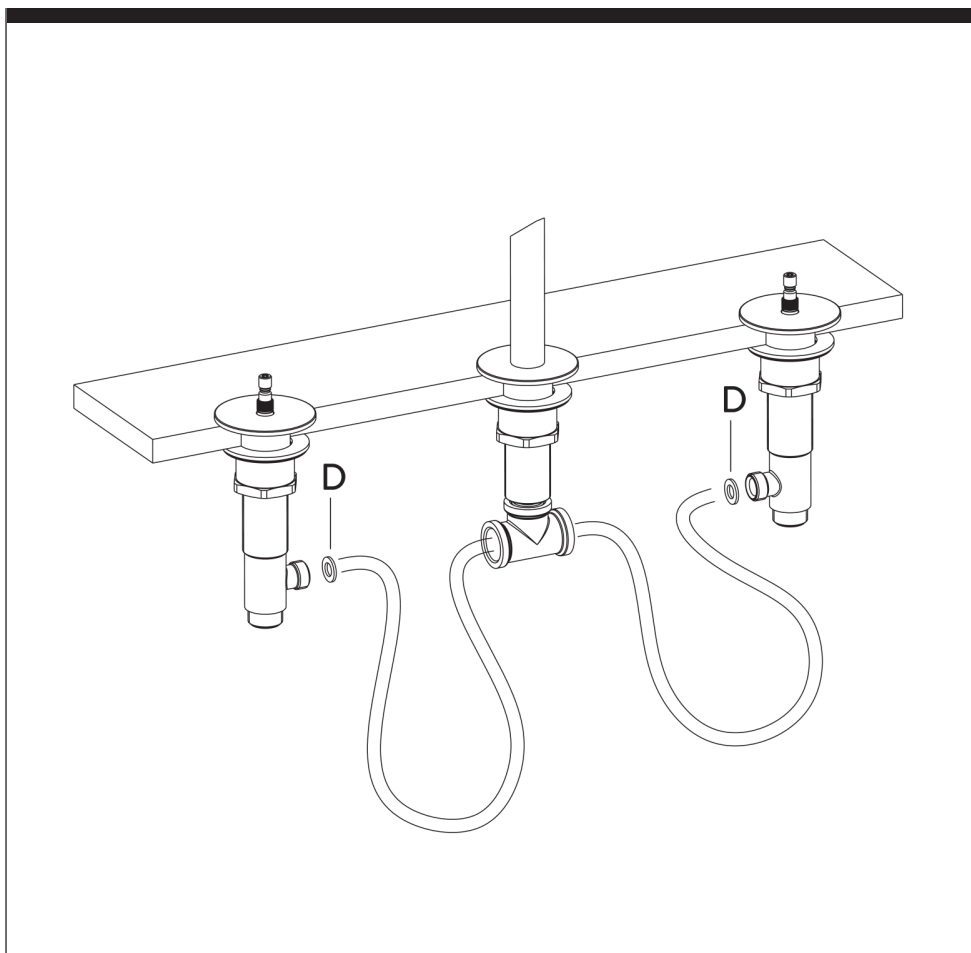
Fit the T connection (A) by screwing it to the lower side of the spout. We suggest to adjust it in the right position to fit then the two taps at its sides.

INSTALLATION



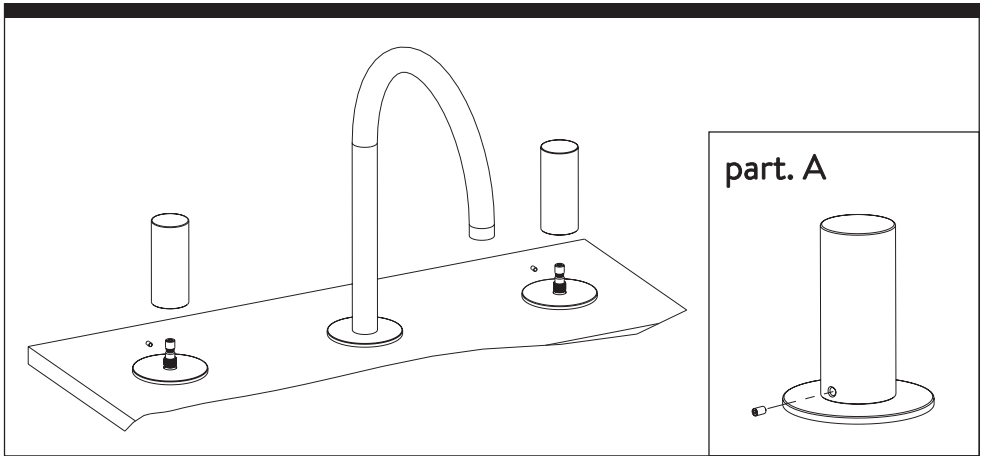
Fit the two standings, fitting it from below and screwing the chrome ring (B) with its gasket, and fix the set with the fixing nut (C).

INSTALLATION



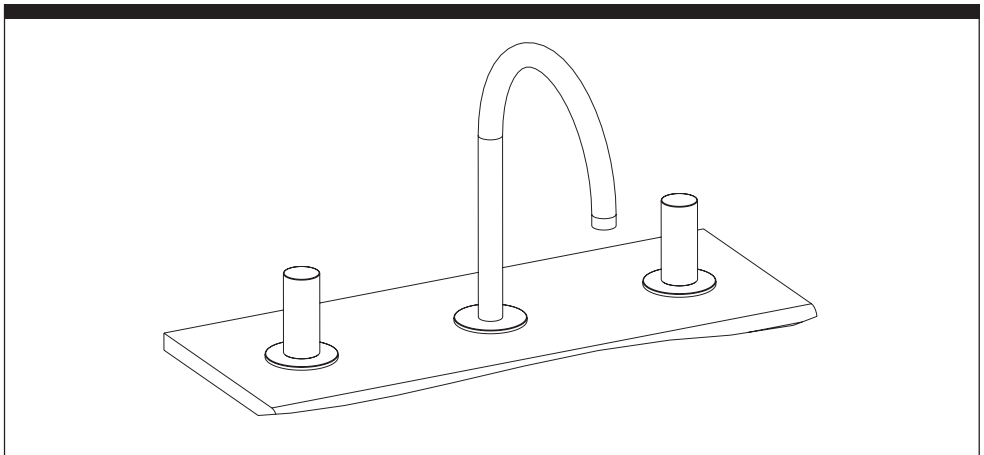
Join the two standings to the “T” connection by mean of the flexible hose supplied and be careful to fit the gaskets (D).

INSTALLATION



Finally fit the two handles and fix them with their grub screws (see part. A).

INSTALLATION COMPLETE!!



CLEANING

Use soft cloth, soapy solution and water for regular care. Wipe with a dry cloth.

Avoid the use of abrasives or solvents, which damage the surface. Damage caused by inappropriate treatment by the user, is not covered by our guarantee.

